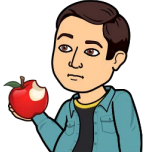
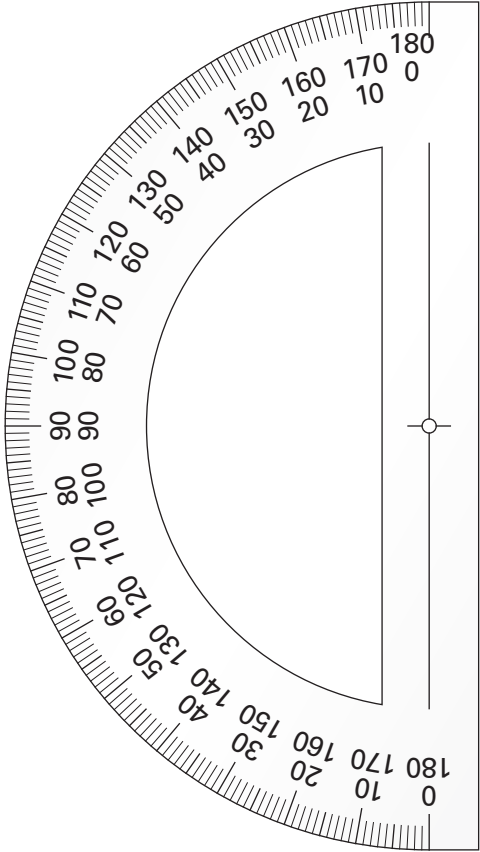
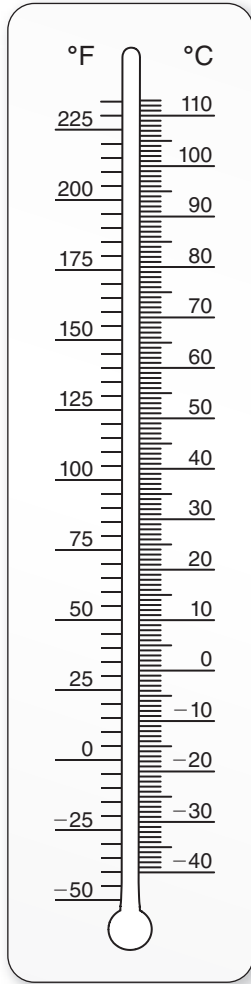


Ruler and Protractor

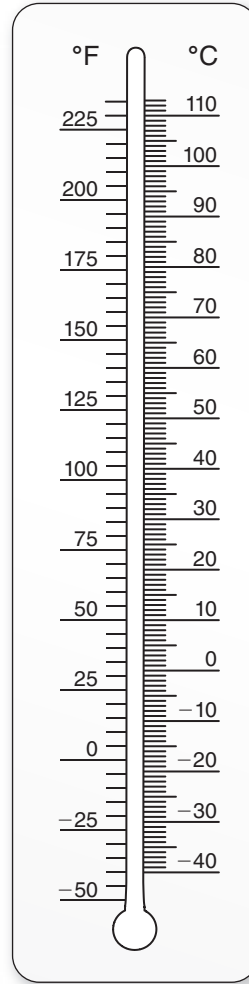


Thermometers



Celsius

_____°C



Fahrenheit

_____°F

